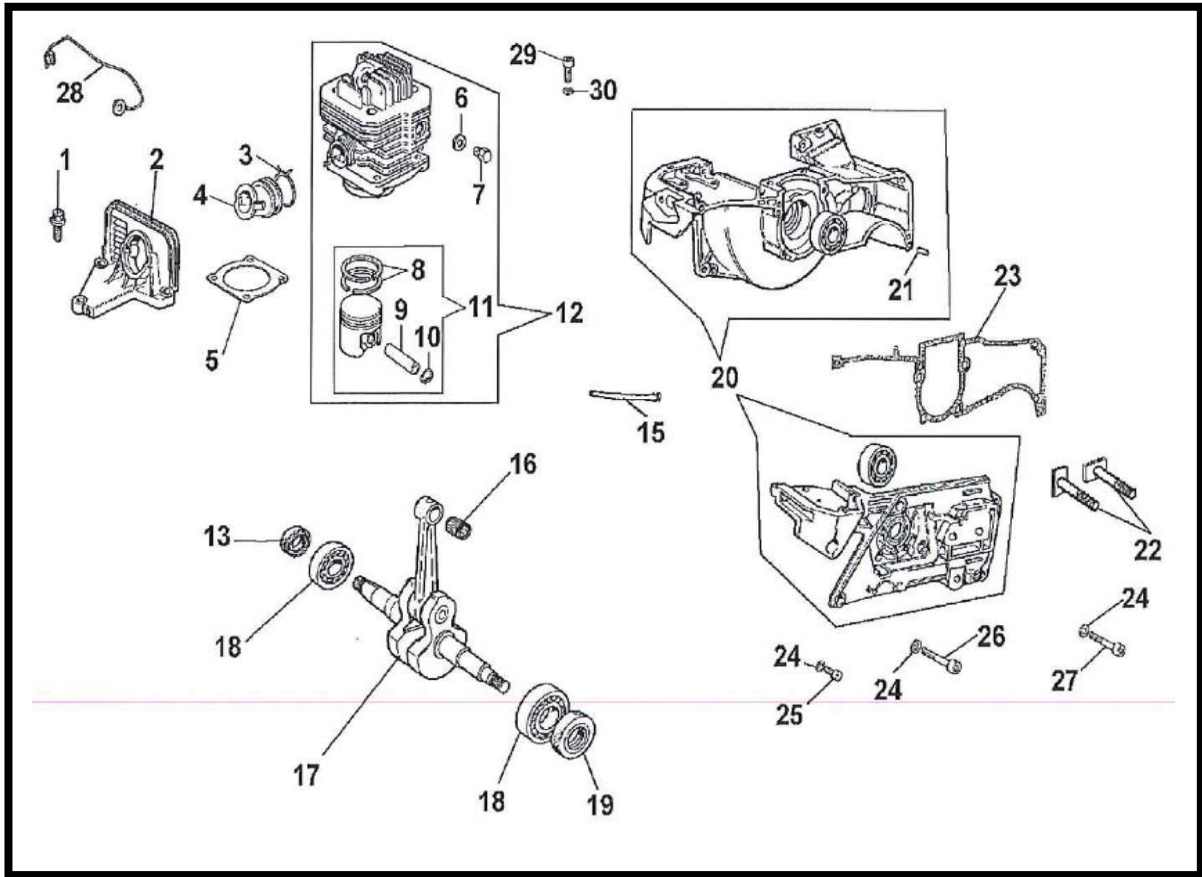


### 2810.1035 SHORT MOTOR



POS	CODE	QTY	DESCRIPTION
1	4003.0410	3	Screw
2	4003.0740	1	Carburettor Flange
3	4003.1181	1	Hose Clamp
4	4003.0760	1	Manifold
5	4003.0860	1	Gasket Insulator
6	4003.0595	1	Washer
7	4003.0631	1	Screw
8	4003.0820	2	Piston Ring 46mm dia
9	4003.0800	1	Gudgeon Pin
10	4001.4200	2	Spring Clip
11	4003.1121	1	Piston Assy.
12	4003.1165	1	Cylinder Assy. 46mm
13	4003.0210	1	Seal
15	4003.0190	1	Pipe
16	4003.0580	1	Bearing
17	4003.0985	1	Crankshaft
18	4000.0378	2	Bearing
19	4001.4320	1	Seal
20	4003.1079	1	Crankcase Assy.
21	4003.0550	2	Pin
22	4003.1076	2	Stud Bolt
23	4003.0840	1	Gasket
24	4000.0880	7	Washer
25	2300.0520	1	Screw 7nM
26	4003.0620	4	Screw
27	4001.1100	2	Screw
28	4003.0420	1	Lead
29	4003.0631	4	Screw
30	4000.0885	4	Washer