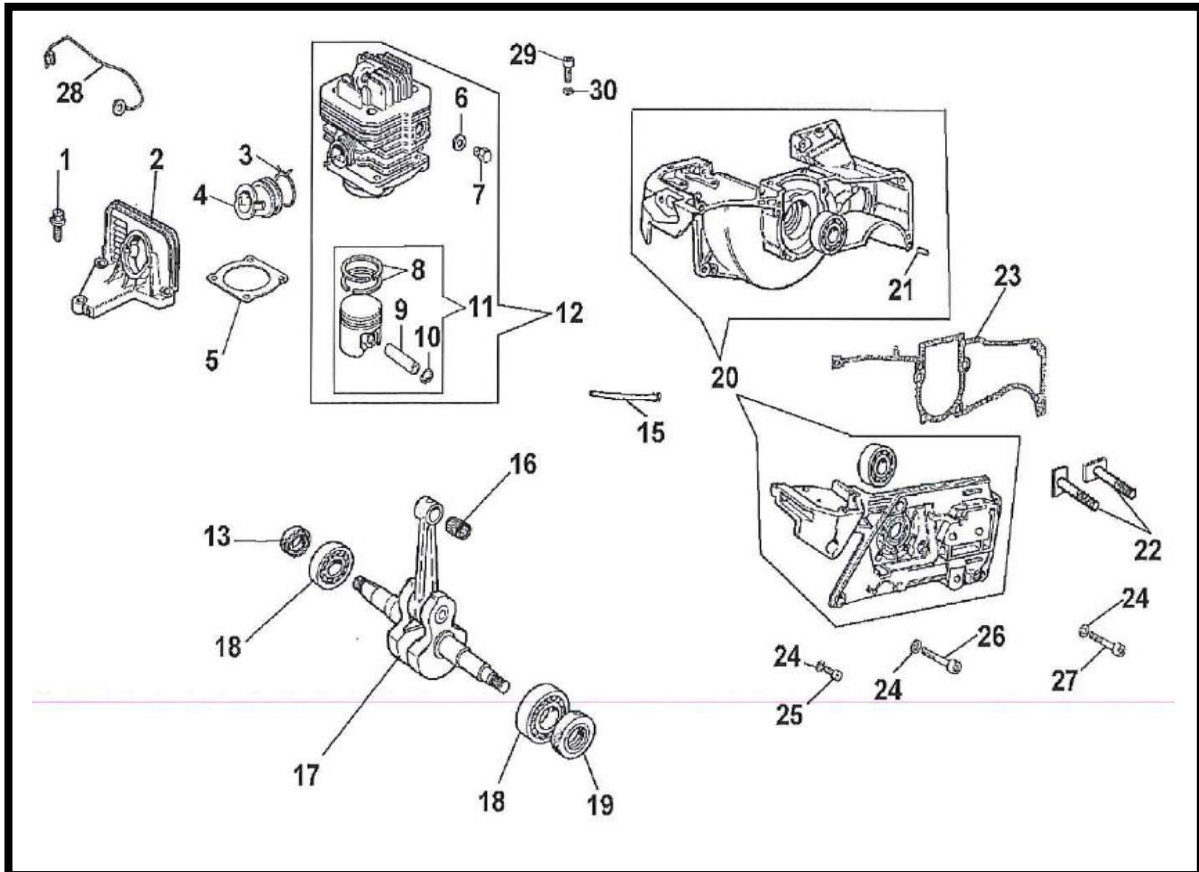


2810.1035 SHORT MOTOR



| POS | CODE | QTY | DESCRIPTION |
|-----|-----------|-----|--|
| 1 | 4003.0410 | 3 | Tornillo |
| 2 | 4003.0740 | 1 | Brida del carburador |
| 3 | 4003.1181 | 1 | Abrazadera de la manguera (4003..0390) |
| 4 | 4003.0760 | 1 | Colector |
| 5 | 4003.0860 | 1 | Aislante de junta |
| 6 | 4003.0595 | 1 | Arandela |
| 7 | 4003.0631 | 1 | Tornillo (4003.0630) |
| 8 | 4003.0820 | 2 | Segmento de pistón 46 mm |
| 9 | 4003.0800 | 1 | Bulón |
| 10 | 4001.4200 | 2 | Anillo de retención elástico |
| 11 | 4003.1121 | 1 | Conjunto de piston (4003.1120) |
| 12 | 4003.1165 | 1 | Conjunto de cilindro 46 mm diám. |
| 13 | 4003.0210 | 1 | Retén |
| 15 | 4003.0190 | 1 | Tubo |
| 16 | 4003.0580 | 1 | Rodamiento |
| 17 | 4003.0985 | 1 | Cigüeñal |
| 18 | 4000.0378 | 2 | Rodamiento |
| 19 | 4001.4320 | 1 | Retén |
| 20 | 4003.1079 | 1 | Ensamble Cáster |
| 21 | 4003.0550 | 2 | Pasador |
| 22 | 4003.1076 | 2 | Espárrago |
| 23 | 4003.0840 | 1 | Junta |
| 24 | 4000.0880 | 7 | Arandela |
| 25 | 2300.0520 | 1 | Tornillo |
| 26 | 4003.0620 | 4 | Tornillo |
| 27 | 4001.1100 | 2 | Tornillo |
| 28 | 4003.0420 | 1 | Cable |
| 29 | 4003.0631 | 4 | Tornillo (4003.0630) |
| 30 | 4000.0885 | 4 | Arandela |