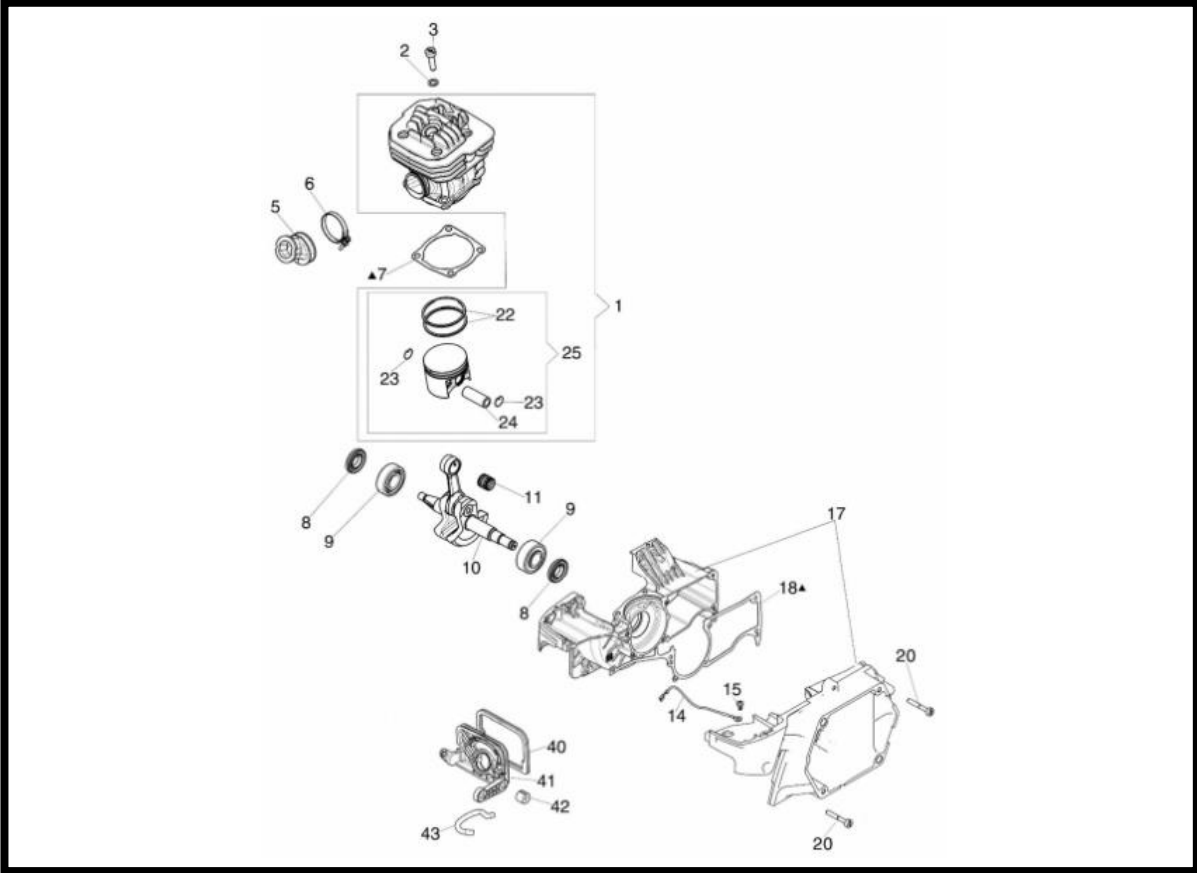


2810.1068 SHORT MOTOR



POSITION	CODE	QTY	DESCRIPTION
1	4003.5210	1	Complete Cylinder
2	4000.0885	4	Washer
3	4003.5030	4	Screw
5	4003.5050	1	Housing
6	4003.0390 (4003.1181)	1	Spring Ring
7	4003.0830	1	Gasket
8	4001.4320	2	Seal
9	4000.0378	2	Bearing
10	4003.5100	1	Motor Shaft
11	4003.0580	1	Bearing
14	4003.3140	1	Cable
15	4003.3200	1	Screw
17	4003.3170	1	Crankcase
18	4003.3180	1	Gasket
20	4003.3230	7	Screw
22	4003.5170	2	Piston Ring
23	4001.4200 (4003.0140)	2	Spring Clip
24	4003.0800	1	Gudgeon Pin
25	4003.5200	1	Piston Kit
40	4003.3280	1	Seal
41	4003.3290	1	Support
42	4003.3300	3	Anti Vibration Mount
43	4003.3310	1	Pipe